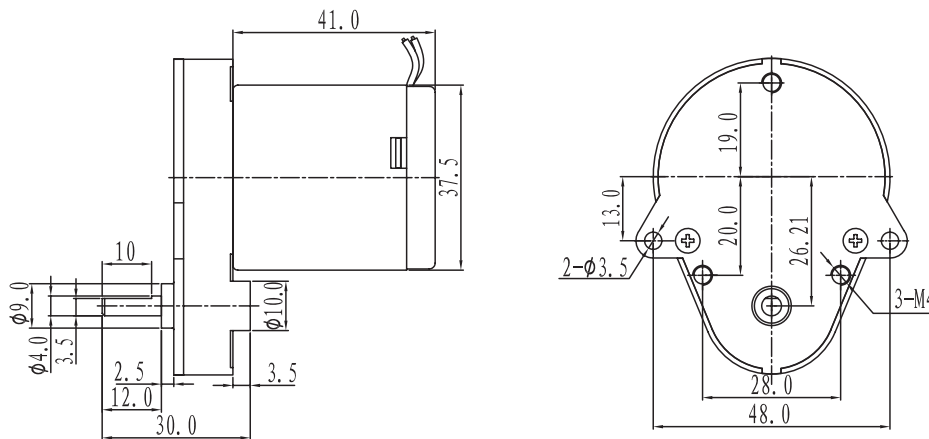


ZS-RE(A4060)



Dimension(mm)



Specifications

DC Motor	Ratio	1/8.3	1/51	1/62	1/81.3	1/179	1/224
ZYTD-380 (12V-4000R)	No load (r/min)	520	85	70	53	24	19
	On load (r/min)	420	70	57	43	20	17
	Rated torque (kgf.cm)	0.6	3.5	4.2	5.6	10	10
ZYTD-380 (24V-5000R)	No load (r/min)	615	100	82	63	29	23
	On load (r/min)	505	82	68	52	25	21
	Rated torque (kgf.cm)	0.8	4.5	5.5	7.5	10	10
Direction	电源正极接 + 端子	CCW			CW		

Gearbox

Reduction Ratio	L	Stages	Allowable torque	
	mm		mN.m	kgf.cm
1/8.3		2	196	2
1/51~1/81.3		4	784	8
1/179~1/224		5	980	10

★ Other specification can be customized.

- N20/30
- FF030
- RF130
- BLDC 1632
- FF130
- FF180
- RF500
- RF300
- RF310
- 094
- BLDC 2035
- 370
- 2418
- 2430
- 385
- 2838
- 395
- 30-C
- 32-C
- 40-C
- 32ZY13
- 32ZY25
- 520
- BLDC 520
- 380
- 555
- BLDC 3640
- 775
- 38S
- BLDC 38S
- 45S
- BLDC 45S
- 50S
- BLDC 50S
- 60S
- BLDC 60S
- 80S
- 稳压器
- 同步电机
- 永磁直流电机
- 交流可逆电机